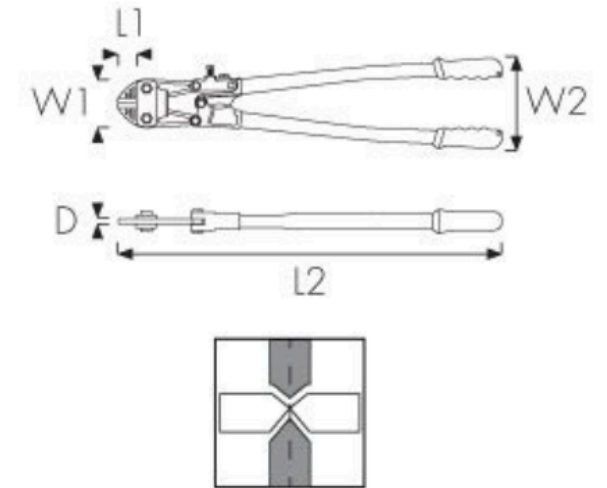


MODELS

BOLT CUTTING CAPACITY

CODE	W1 (MM)	W2 (MM)	L1 (MM)	L2 (INCH)	D (MM)	PCS (CTN)
40-BC030A	96	175	40	30	11	5
40-BC036A	108	170	43	36	13	4
40-BC042A	123	205	48	42	15	4



MODELS**BOLT CUTTING CAPACITY****CODE****GRADE 2
(SOFT BOLT)****GRADE 5
(HARD BOLT)**

40-BC030A

15/32" Ø

5/16" Ø

40-BC036A

5/8" Ø

7/16" Ø

40-BC042A

7/8" Ø

5/8" Ø