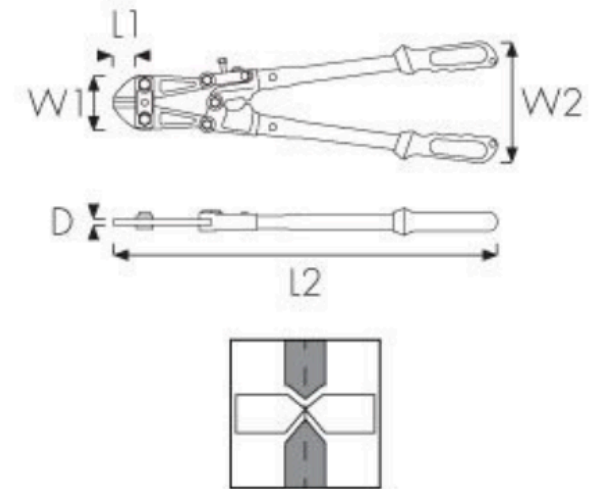


MODELS

BOLT CUTTING CAPACITY

CODE	W1 (MM)	W2 (MM)	L1 (MM)	L2 (INCH)	D (MM)	PCS (CTN)
40- BC012	50	110	18	12	6	20
40- BC014	62	120	19	14	7	10
40- BC018	70	150	32	18	8	10
40- BC024	85	175	36	25	9	8
40- BC048	160	250	58	48	12	2



MODELS**BOLT CUTTING CAPACITY**

CODE	GRADE 2 (SOFT BOLT)	GRADE 5 (HARD BOLT)
40- BC012	3/16" Ø	5/32" Ø
40- BC014	5/16" Ø	3/16" Ø
40- BC018	3/8" Ø	1/4" Ø
40- BC024	1/16" Ø	5/16" Ø
40- BC048	7/8" Ø	5/8" Ø