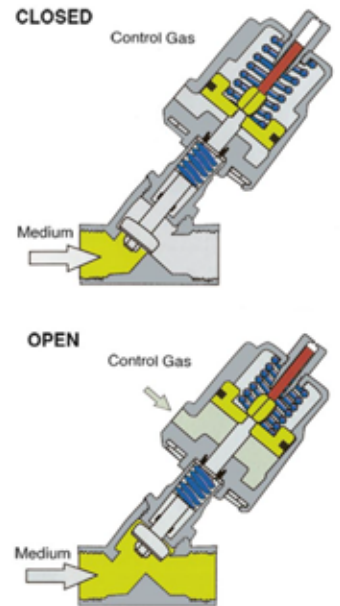
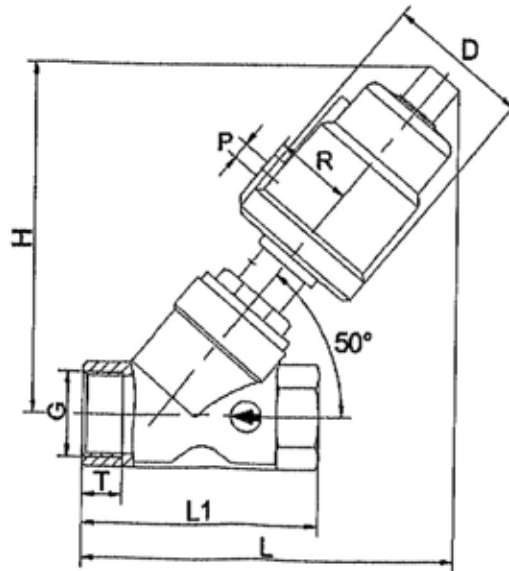


STAINLESS STEEL THREAD PNEUMATIC ANGLE SEAT VALVE



Technical Data

Application :

- Water distribution pipes
- Industrial cleaning machines
- Dyeing machine temperature control
- Middle and low stem equipments control
- Well water and wastewater disposal plant

Specification

Body Material	SUS 316
Seat Material	F46
Application material	F46 -30°C ~ 220°C
Ambient Temp.	-30°C ~ 80°C
Nominal Pressure	1.6 Mpa
Control Type	Single acting, air to open type
Actuator Material	Polyamide PA, stainless steel
Optional accessory	Solenoid valve, limit switch box, positioner

DN	Inch	Inner Diameter	Kv Value	Pressure	Air Supply	Cylinder Bore	Flow direction
15	1/2"	15	4.2	0-16bar	4-7bar	50	steam, gas
20	3/4"	20	8.0			50	Flow above seat
25	1"	25	19.0			63	Liquids, gas water hammer-free Flow below seat
32	1.1/4"	32	27.5			63	
40	1.1/2"	40	42.0			63	
50	2"	50	55.0			63	

Dimension in mm

DN	Inch	G	L	L1	H	D	R	T	P	Weight
15	1/2"	1/2	133	68	126	62	33	11	1/8	1.06
20	3/4"	3/4	137	75	131	62	33	14	1/8	1.15
25	1"	1	174	90	165	76	42	15	1/8	2.2
32	1.1/4"	1.1/4	188	115	175	76	42	17	1/8	2.7
40	1.1/2"	1.1/2	190	115	178	76	42	17	1/8	4.75
50	2"	2	205	135	195	96	52	20	1/8	6.8