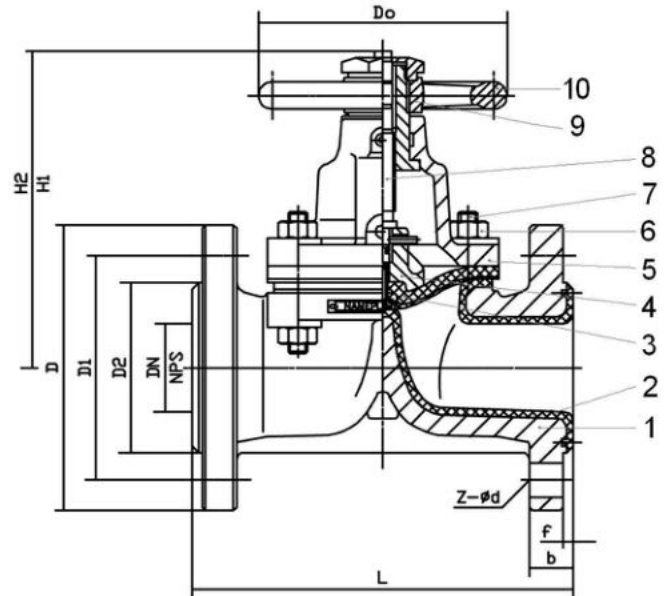


CAST STEEL LINED DIAPHRAGM VALVE ANSI 150 FLANGED END



Handwheel Operated

Dimension in mm

SIZES		L	D	D1	D2	f	b	Z-Φd	D0	H1	H2	WT. (KG)
DN	in.											
15	1/2	125	89	60.5	35	1.6	/	4-Φ15	120	110	115	4.0
20	3/4	135	98	70	43	1.6	/	4-Φ15	120	120	130	5.0
25	1	145	108	79.5	51	1.6	12	4-Φ15	140	125	140	6.0
32	1.1/4	161	117	89	64	1.6	13	4-Φ15	140	130	155	9.0
40	1.1/2	180	127	98.5	73	1.6	15	4-Φ15	160	140	180	12.0
50	2	210	152	120.5	92	1.6	16	4-Φ19	160	160	200	15.0
65	2.1/2	250	178	139.5	105	1.6	18	4-Φ19	200	175	205	24.0
80	3	300	190	152.5	127	1.6	19	4-Φ19	200	205	260	30.0
100	4	350	229	190.5	157	1.6	24	8-Φ19	280	275	330	48.0
125	5	400	254	216	186	1.6	24	8-Φ22	320	340	410	75.0
150	6	460	279	241.5	216	1.6	26	8-Φ22	320	375	460	105.0
200	8	570	343	298.5	270	1.6	29	8-Φ22	400	485	605	182.0
250	10	680	406	362	324	1.6	31	12-Φ25	550	550	625	295.0
300	12	790	483	432	381	1.6	34	12-Φ25	590	590	685	345.0

Technical Data

Material

No.	PART	MATERIAL
1	BODY	WCB
2	COATING	FEP (F46)
3	DIAPHRAGM	FEP (F46)
4	DISC	WCB
5	BONNET	WCB
6	NUT	45
7	BOLT	35
8	STEM	1Cr13
9	STEM NUT	ZCuAl10Fe3
10	HANDWHEEL	HT200

Features

Adopting special technology to line the FEP (F46) to body, and cushioned with nitrile rubber to diaphragm components and enable each components to the same anti-corrosion ability. This products have good throting traits, anti-corrosion liquid, fiber and powder medium.

Nominal pressure: PN0.6 ~ 2.5MPa Class 150~300LB

Type of Connection: ANSI 150 Flanged connection

Actuator: Handwheel, Electric Actuator, Pneumatic

Applicable Media: Vitrol, Hydrofluoric acid, Strong alkali, Gaseous Chlorine, Phosphoric acid, Aqua regia and so on medium with strong causticity.