

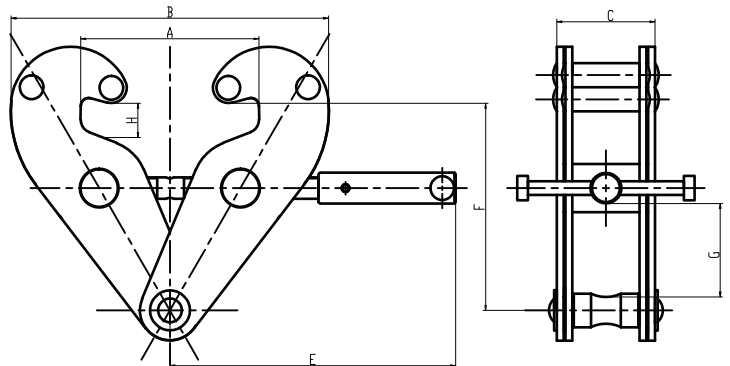
BEAM CLAMP



BEAM CLAMP

Beam Clamp Type BC 1000kg–10000kg

- Provides a quick and versatile rigging point hoisting equipment, pulley blocks or loads.
- Flexible application due to wide adjustment range.
- The central threaded spindle allows easy attachment and a safe and secure grip.
- The spindle can be secured against loosening.
- Option: Small dimensions for application at beam with a low base height.



Model		BC-1	BC-2	BC-3	BC-5	BC-10	
Capacity load T		1	2	3	5	10	
Test load KN		14.7	29.5	44.13	61.92	122.58	
I-beam width range MM		75-220	75-220	80-320	80-320	90-320	
Dimensions (mm)	A max	260	260	354	354	365	
	B	Min	180	180	235	235	320
		Max	360	360	490	490	505
	C	64	74	103	110	120	
	E	215	215	260	260	280	
	F	Min	102	102	140	140	170
		Max	155	155	225	225	235
	G	25	25	45	45	50	
H	22	22	35	35	35		
Net weight KG		3.8	4.6	9	11	16	