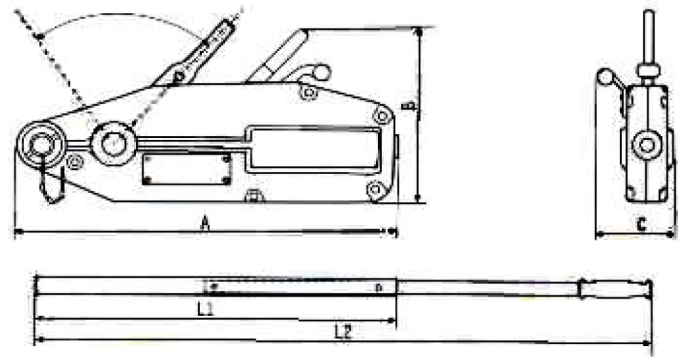
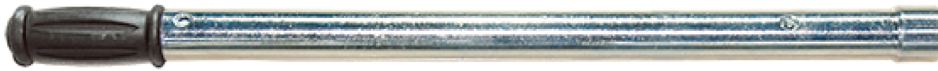


# ALUMINIUM HOUSING PULLING HOIST



## MODEL HS WIRE ROPE PULLING HOIST SPECIFICATIONS

MODEL		HX-800	HX-1600	HX-3200II	HX-5400
RATED CAPACITY (KG)		800	1600	3200	5400
RATED CAPACITY (N)		343	441	441	745
RATED FORWARD TRAVEL (MM)		>> 52	>> 55	>> 28	>> 30
ROPE DIAMETER (MM)		8.3	11	16	20
WIRE ROPE SAFETY FACTOR LOAD CAPACITY		5	5	5	5
SAFETY FACTOR & STATIC LOAD CAPACITY		5	5	5	5
MAX TRAVELLING LOAD (KG)		1200	2400	4000	8000
NET WEIGHT (KG)		6.5	12.5	28	56.5
MAX OVERALL SIZE (MM)	A	426	545	710	930
	B	235	280	370	480
	C	64	97	140	152
	L1 (CM)		80	80	68
	L2 (CM)	80	120	120	112